

# Washer extractors

## W465H, W475H, W4105H

### Features and benefits

- High extraction force for efficient dewatering
- Available with two types of program controls:
  - Compass Control® with:**
    - Large display and one dial for easy program selection
    - Language selection
    - Two Quick Start buttons for frequently used wash programs
    - Wash program packages optimized on *Economy, Performance and Time*
  - Clarus Control® with:**
    - Fully programmable microprocessor
    - All relevant wash parameters can be programmed
    - Programming from key pad or downloading via memory card
- AWS – Automatic Weighing System with Compass Control – determine the wash load and adopt the water intake accordingly. Savings on water and energy if machine is not fully loaded
- Extremely low water and energy consumption – see table below
- Four compartment soap box for manual dosing of powder or liquid detergent
- Large door opening for easy loading/unloading
- Low noise level for pleasant working environment
- Stainless and galvanized steel in all vital parts for high degree of rust protection
- SuperBalance™ guarantees the correct extraction force



Compass Control

### Main options

- Automatic liquid detergent supply (optional I/O board for Compass Control)
- Stainless steel front panel
- Stainless steel side panel (Clarus Control only)
- Connection to payment system or coin meter (Compass Control only)
- Drain pump



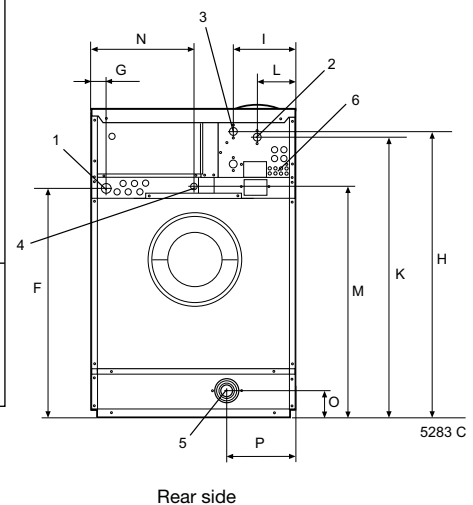
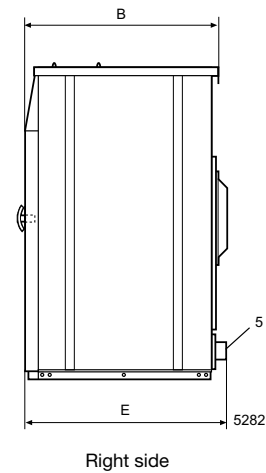
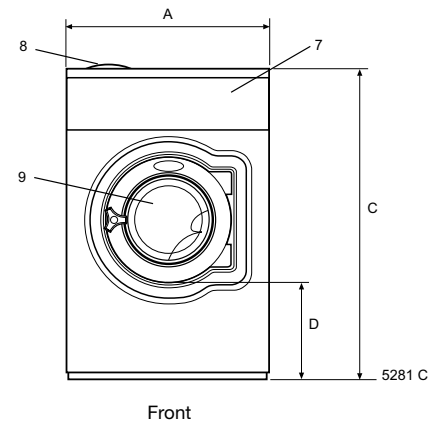
Clarus Control

| Main specifications                            |             |    | W465H       |       | W475H       |       | W4105H    |       |
|--|-------------|----|-------------|-------|-------------|-------|-----------|-------|
| Max. capacity                                  | kg/lb       |    | 7/15        |       | 8/18        |       | 11/25     |       |
| Drum, volume                                   | litre       |    | 65          |       | 75          |       | 105       |       |
| diameter                                       | ø mm        |    | 520         |       | 520         |       | 595       |       |
| Extraction                                     | rpm         |    | 1100        |       | 1100        |       | 1025      |       |
| G-factor                                       |             |    | 350         |       | 350         |       | 350       |       |
| Heating alternatives, 230/400V                 | electricity | kW | 2/3/5.4/7.4 |       | 2/3/5.4/7.4 |       | 7.4/9.7   |       |
|  | steam       |    | x           |       | x           |       | x         |       |
|  | non-heated  |    | x           |       | x           |       | x         |       |
| <b>Consumption data "Normal 60°C" * (3G01)</b> |             |    | El          | Steam | El          | Steam | El        | Steam |
| Total time                                     | min         |    | 45          | **    | 45          | **    | 46        | **    |
| Water consumption (cold/hot)                   | litre       |    | 43/11       | 43/11 | 49/13       | 49/13 | 68/18     | 68/18 |
| Energy consumption (motor/heating)             | kWh         |    | 0.15/0.3    | 0.15  | 0.2/0.3     | 0.2   | 0.25/0.45 | 0.25  |
| Steam consumption                              | kg          |    | -           | 0.5   | -           | 0.45  | -         | 0.7   |

\* Water temperature 15°C cold water and 65°C hot water

\*\* Depending on steam pressure

| Electrical connections*           |                  |  | W465H     | W475H     | W4105H    |
|-----------------------------------|------------------|--|-----------|-----------|-----------|
| Heating                           | Voltage          |  |           |           |           |
| El.                               | 230V 1AC 50 Hz   | kW(A)  | 7.3(35)   | 7.4(35)   | 9.7(50)   |
|                                   | 230V 3AC 50 Hz   | kW(A)  | 7.3(20)   | 7.4(25)   | 9.7(35)   |
|                                   | 240V 3AC 60 Hz   | kW(A)  | 7.3(20)   | 7.4(25)   | 9.7(35)   |
|                                   | 400V 3N AC 50 Hz | kW(A)  | 7.4(16)   | 7.4(16)   | 9.7(16)   |
| Steam or non-heated               | 230V 1AC 60 Hz   | kW(A)  | 1.0(10)   | 1.1(10)   | 1.3(10)   |
|                                   | 240V 1AC 60 Hz   | kW(A)  | 1.0(10)   | 1.1(10)   | 1.3(10)   |
|                                   | 230V 1AC 50 Hz   | kW(A)  | 1.0(10)   | 1.1(10)   | 1.3(10)   |
| Water and steam connection        |                  |  |           |           |           |
| Water valves                      | DN               |  | 20        | 20        | 20        |
| Water pressure                    | kPa              |  | 200-600   | 200-600   | 200-600   |
| Capacity at 300 kPa               | l/min            |  | 20        | 20        | 20        |
| Drain valve                       | ømm              |  | 50/75     | 50/75     | 50/75     |
| Draining capacity                 | l/min            |  | 170       | 170       | 170       |
| Steam valve                       | DN               |  | 15        | 15        | 15        |
| Steam pressure                    | kPa              |  | 300-600   | 300-600   | 300-600   |
| Liquid detergent supplies         |                  |  | 5         | 5         | 5         |
| Floor requirements                |                  |  |           |           |           |
| Frequency of the dynamic force    | Hz               |  | 18.3      | 18.3      | 17.1      |
| Max floor load at extraction      | kN               |  | 1.8 ± 0.5 | 1.9 ± 0.5 | 2.5 ± 0.5 |
| Sound levels                      |                  |  |           |           |           |
| Sound pressure level**            | dB(A)            |  | 64        | 65        | 69        |
| Sound power level (IEC 60704-2-4) | dB(A)            |  | 73        | 72        | 77        |
| Heat emission                     |                  |  |           |           |           |
| % of installed power, max         |                  |  | 5         | 5         | 5         |
| Shipping data                     |                  |  |           |           |           |
| Weight                            | net, kg          |  | 154       | 159       | 201       |
|                                   | crated, kg       |  | 167       | 179       | 225       |
| Shipping volume                   | m <sup>3</sup>   |  | 0.75      | 0.75      | 0.99      |
| Accessories                       |                  |  |           |           |           |
| Steel base                        |                  |  | x         | x         | x         |
| Hose kits for water or steam      |                  |  | x         | x         | x         |
| Fluff collector                   |                  |  | x         | x         | x         |
| Dimensions in mm                  |                  |  |           |           |           |
| <b>A</b> Width                    |                  |  | 720       | 720       | 830       |
| <b>B</b> Depth                    |                  |  | 690       | 690       | 705       |
| <b>C</b> Height                   |                  |  | 1115      | 1115      | 1300      |
| <b>D</b>                          |                  |  | 355       | 355       | 365       |
| <b>E</b>                          |                  |  | 720       | 720       | 740       |
| <b>F</b>                          |                  |  | 825       | 825       | 910       |
| <b>G</b>                          |                  |  | 45        | 45        | 45        |
| <b>H</b>                          |                  |  | 1030      | 1030      | 1115      |
| <b>I</b>                          |                  |  | 220       | 220       | 220       |
| <b>K</b>                          |                  |  | 1010      | 1010      | 1100      |
| <b>L</b>                          |                  |  | 135       | 135       | 135       |
| <b>M</b>                          |                  |  | 830       | 830       | 910       |
| <b>N</b>                          |                  |  | 360       | 360       | 415       |
| <b>O</b>                          |                  |  | 100       | 100       | 100       |
| <b>P</b>                          |                  |  | 240       | 240       | 295       |
| <b>1</b> Electrical connection    |                  | <b>6</b> Liquid supply connections                       |           |           |           |
| <b>2</b> Cold water               |                  | <b>7</b> Control panel                                   |           |           |           |
| <b>3</b> Hot water                |                  | <b>8</b> Soap box  |           |           |           |
| <b>4</b> Steam connection         |                  | <b>9</b> Door opening ø310 (W465H, W475H), ø365 (W4105H) |           |           |           |
| <b>5</b> Drain                    |                  |  |           |           |           |



Front and side panels in light grey with "Blue Wave" on front panel (RAL 260 70 05, 250 60 30)

\* Other voltages available, see installation manual

\*\* Approx. value at operators position in a mid-size laundry room